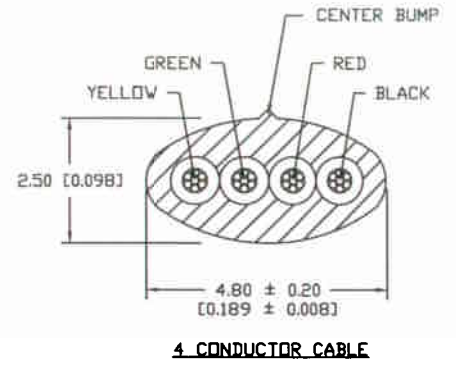
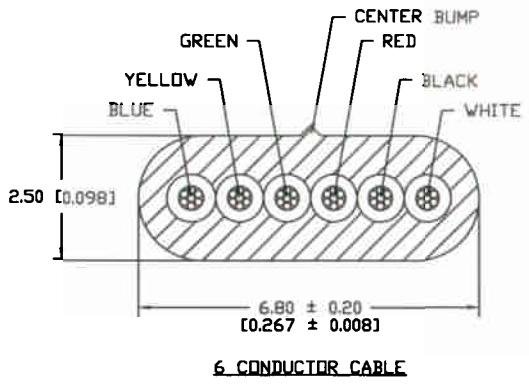
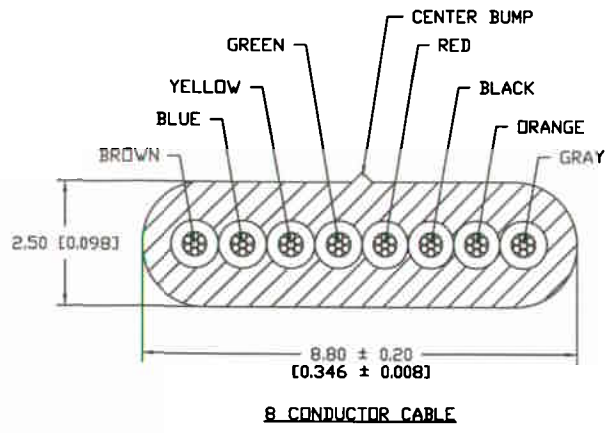


THESE DRAWINGS AND SPECIFICATIONS ARE THE SOLE PROPERTY OF I/O INTERCONNECT INC., U.S.A. AND SHALL NOT BE REPRODUCED, COPIED, OR USED IN ANY MANNER WITHOUT THE PREVIOUS WRITTEN CONSENT OF I/O INTERCONNECT INC. OR ITS AFFILIATED SUBSIDIARIES.

DWG. NO.	ZONE	REV.	DESCRIPTION	DATE	APPROVED
X10-0X3		L	ECN C682	07/24/02	P.S.
		M	ADD NOTE & CHANGE P/N TO REFLECT ROHS COMPLIANT. CHANGE PACKAGING SPEC. PER ACTUAL DATA PER ECN B822	04/14/05	M.G.

1
2
3
4
5



NOTES: UNLESS OTHERWISE SPECIFIED.

1.0 MATERIAL AND SPECIFICATIONS

1.01 CONDUCTORS: 26 AWG (12/0.12 mm) STRANDED BARE COPPER.

1.02 INSULATION: POLYPROPYLENE

1.03 COLOR: PER CALLOUT

1.04 PACKAGING: (SEE PAGE 2)

2.0 ELECTRICAL CHARACTERISTICS

2.01 TEMPERATURE & VOLTAGE RATING: 80°C 30 V

2.02 CONDUCTORS RESISTANCE: 148 OHMS/KM MAX. AT 20°C

2.03 INSULATION RESISTANCE: 100 MEGOHMS/KM MIN. AT 20°C

2.04 CAPACITANCE: 15 PF/FT (MAX)

2.05 DIELECTRIC TEST: AC-500V PER 1 MINUTE

3.0 PLACE BAR CODE LABEL ON THE OUTSIDE OF EACH SHIPPING BOX LABEL DETAIL SEE DWG 090-990-001. FOR CUSTOMER CODE 4DGK ONLY.

4.0 PART TO BE ROHS COMPLIANT.

GLF-121-410-003	4	SILVER SATIN	[0.551 ± 0.039] 14.00 ± 1.00
GLF-121-410-013	4	BLACK	[0.551 ± 0.039] 14.00 ± 1.00
GLF-121-410-023	4	WHITE	[0.551 ± 0.039] 14.00 ± 1.00
GLF-121-610-003	6	SILVER SATIN	[0.551 ± 0.039] 14.00 ± 1.00
GLF-121-610-013	6	BLACK	[0.551 ± 0.039] 14.00 ± 1.00
GLF-121-610-023	6	WHITE	[0.551 ± 0.039] 14.00 ± 1.00
GLF-121-810-003	8	SILVER SATIN	[0.748 ± 0.039] 19.00 ± 1.00
GLF-121-810-013	8	BLACK	[0.748 ± 0.039] 19.00 ± 1.00
GLF-121-810-023	8	WHITE	[0.748 ± 0.039] 19.00 ± 1.00
I/O INTERCONNECT PART NUMBER	NUMBER OF CONDUCTORS	COLOR	Ø 'A'

THIRD ANGLE PROJECTION

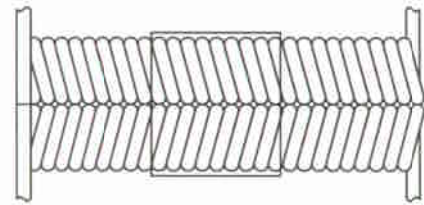
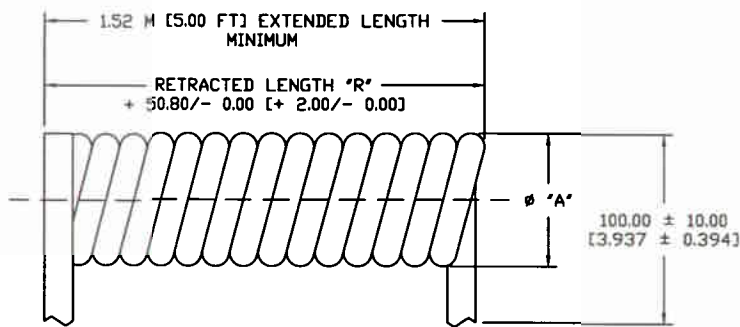
I/O INTERCONNECT
SANTA ANA, CALIFORNIA

DR. BY: JERRY SUN 04/14/05	TITLE: 26 AWG (12/0.12 mm) BARE COPPER, 5.00 FT EXTENDED, NON-UL, UNSHIELDED, MODULAR CABLE.
DR. CHECKED:	PART NO: GLF-121-X10-0X3
REV:	DWG NO: GLF-121-X10-0X3
ENGINEER:	CUSTOMER: I/O INTERCONNECT
DATE/SCALE:	REV. M
SA:	SCALE: NONE SHEET 1 OF 2

UNLESS OTHERWISE NOTED:
1) DIMENSIONS ARE IN MILLIMETER (INCHES)
2) TOLERANCES:
X.X ± 10.0 [0.39]
X.XX ± 0.25 [0.01]

THESE DRAWINGS AND SPECIFICATIONS ARE THE SOLE PROPERTY OF I/O INTERCONNECT INC., U.S.A. AND SHALL NOT BE REPRODUCED, COPIED, OR USED IN ANY MANNER WITHOUT THE PRIOR WRITTEN CONSENT OF I/O INTERCONNECT INC. OR ITS AFFILIATED SUBSIDIARIES.

DWG. NO.	ZONE	REV.	DESCRIPTION	DATE	APPROVED
X10-0X3		L	ECN C682	07/24/02	P.S.
		M	ADD NOTE & CHANGE P/N TO REFLECT RDHS COMPLIANT, CHANGE PACKAGING SPEC. PER ACTUAL DATA PER ECN 0822	04/14/05	M.G.



BUNDLE SPECIFICATION

NOTES: UNLESS OTHERWISE SPECIFIED.

4.0 PACKAGING SPECIFICATION

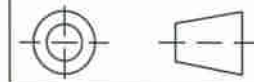
4.01 USE CLEAR TAPE TO BUNDLE 25 CABLES TOGETHER

4.02 PLACE PLASTIC BAG IN SHIPPING BOX, SEE TAB BLOCK FOR PACKAGING QUANTITY PER SHIPPING BOX. CLOSE PLASTIC BAG AND SEAL BOX ALONG 3 SURFACES WITH TAPE.

4	431.80	[17.000]	L=13.00" X W=20.00" X H=9.00"	10 BUNDLE, 250 PCS
6	457.20	[18.000]	L=13.00" X W=20.00" X H=9.00"	10 BUNDLE, 250 PCS
8	558.80	[22.000]	L=13.00" X W=25.00" X H=9.00"	5 BUNDLE, 125 PCS
CONDUCTORS	MILLIMETERS	INCHES	DIMENSION MAX.	PACKAGING QUANTITY
NUMBER OF	RETRACTED LENGTH 'R'		OUTSIDE SHIPPING BOX	PER SHIPPING BOX

TABULATION BLOCK

THIRD ANGLE PROJECTION



UNLESS OTHERWISE NOTED:
 1) DIMENSIONS ARE IN MILLIMETER (INCHES)
 2) TOLERANCES:
 X.X ± 10.0 (0.391)
 X.XX ± 0.25 (0.01)

I/O INTERCONNECT
 SANTA ANA, CALIFORNIA

DR. BY JERRY SUN	DATE 04/14/05	TITLE 26 AWG (12/0.12 mm) BARE COPPER, 5.00 FT EXTENDED, NON-UL, UNSHIELDED, MODULAR CABLE
DR. CHECKED		
ENG.	PART NO. GLF-121-X10-0X3	
ENGINEER	DWG. NO. GLF-121-X10-0X3	
GRF./SALES	CUSTOMER I/O INTERCONNECT	REV. M
SA	SCALE NONE	SHEET 2 OF 2